

Item# F-802SC2

ADA Solution For Existing Anchors

The Scout 2 Lift features an adjustable height seat pole, upgraded electronics, and a higher weight capacity. Utilize the optional pull-out leg rest for partially raised and above ground pools and spas. The updated base accommodates many existing anchors and a variety of different applications.



U.S. Patent No.
D507,769 S



*300 lb (136 kg) weight capacity when used with plastic anchor sleeve

Available in a variety of accent colors (blue plastics standard)



Available in a variety of powder coat colors



OPTIONS/ACCESSORIES:

ADA COMPLIANT

FEATURES:

- 375 lb* (170 kg) weight capacity
- Independently verified to ADA standards
- UL Certified
- Set back range 19" to 35" (49 to 88 cm)
- Adaptable to most existing 6" deep anchors
- 360° powered rotation in either direction
- Rechargeable battery with wall mount charger
- 5 year structural warranty
- 5 year pro-rated electronics warranty



ITEM #	DESCRIPTION
F-808SA	Anchor kit, standard, 1.9" x 6" deep
F-808SA-10	Anchor kit, paver applications, 1.9" ID x 10" deep
F-842SWDA	Anchor kit, wood deck applications
F-450BL-C	Cover, standard lockable, blue
F-450BL-CT	Cover, standard lockable, tan
F-450SSC	Cover, for use with solar charger, blue
F-422PLH-2	Headrest
F-105LAR	Pull-out leg rest
F-806SLS	Sling assembly
F-045SCH	Solar charging station
F-814SCTC	Transport cart

strack Patienten- und Pflegebedarf

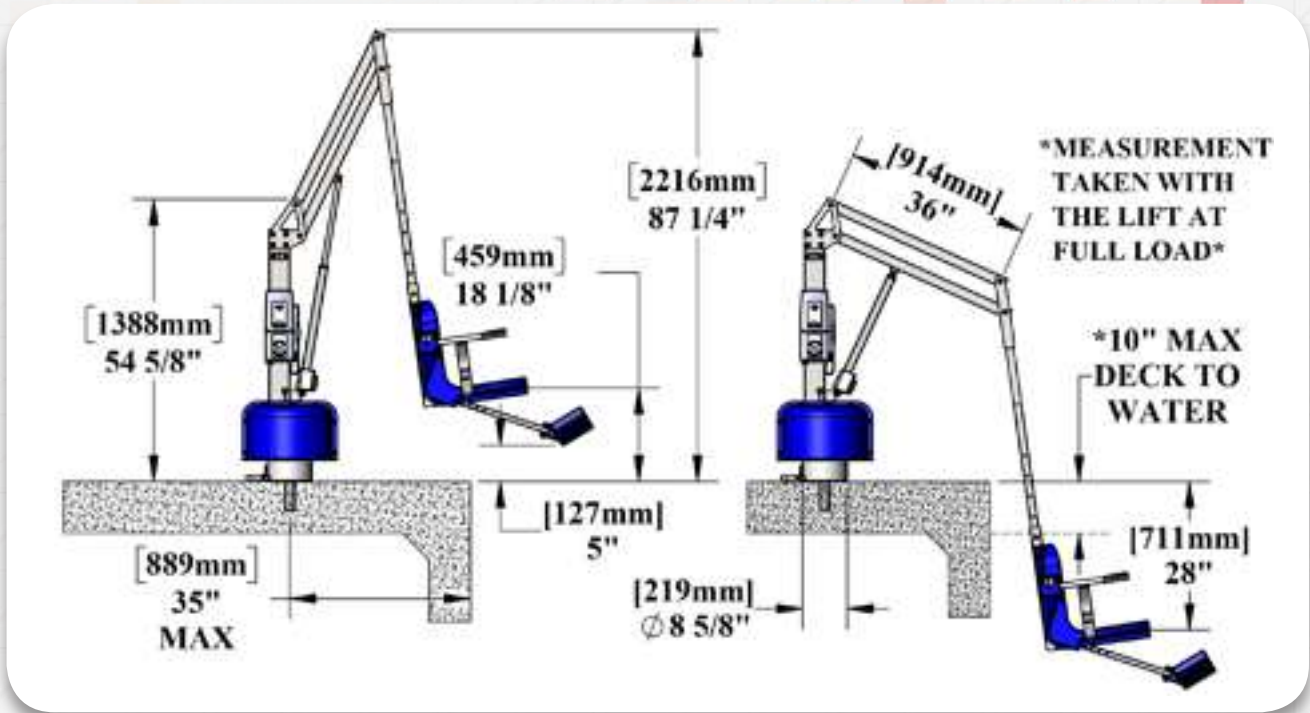
Strack AG
Ebnatstrasse 125
8200 Schaffhausen

052 630 31 60
www.strack.ch
info@strack.ch

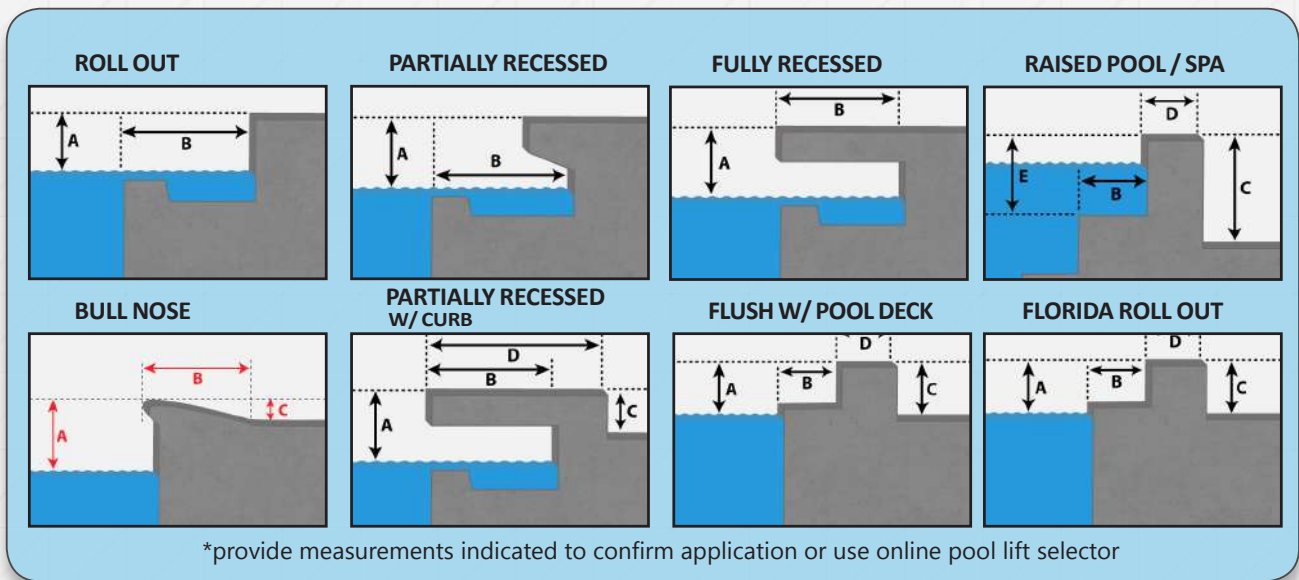
The Scout 2 Lift

The Scout 2 Lift

PRODUCT SPECIFICATIONS



APPLICABLE POOL PROFILES



To confirm specific application go to www.aquacreek.com for our **Pool Lift Selector**



Become a member of our new **Dealer and Architect** page. Access to CAD blocks, CSI specs and sales materials.